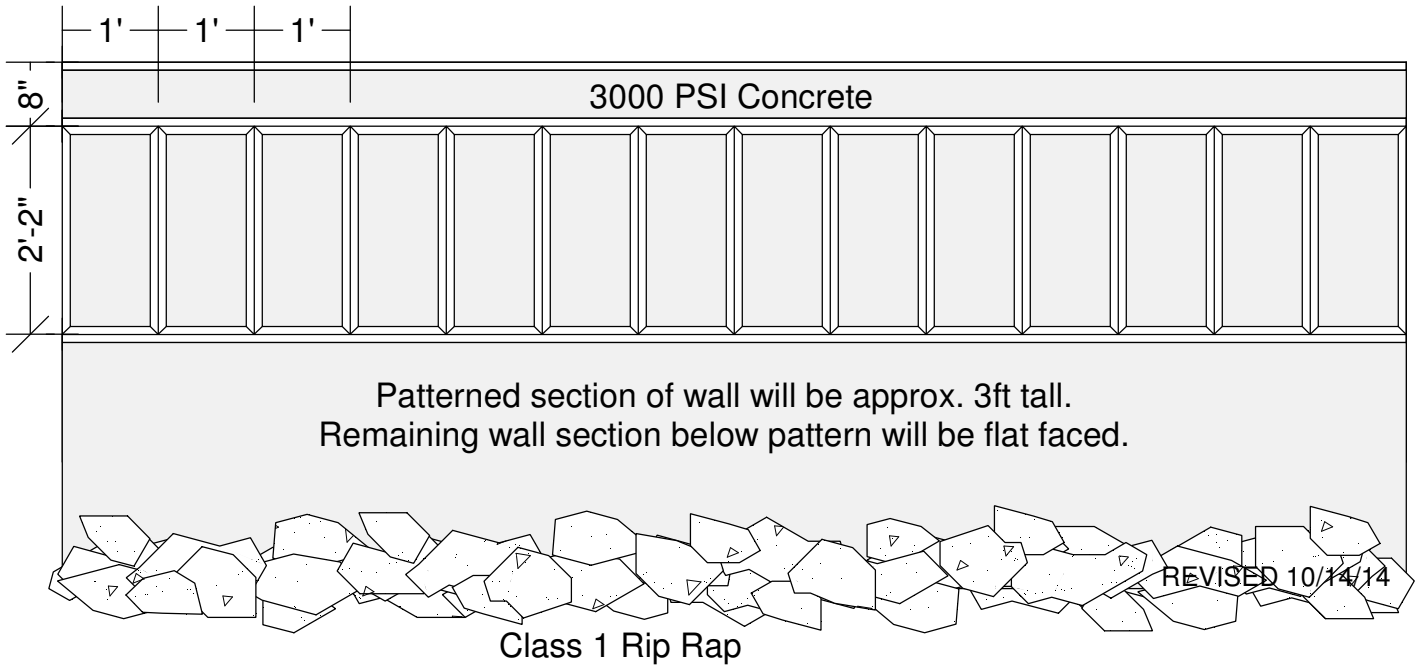
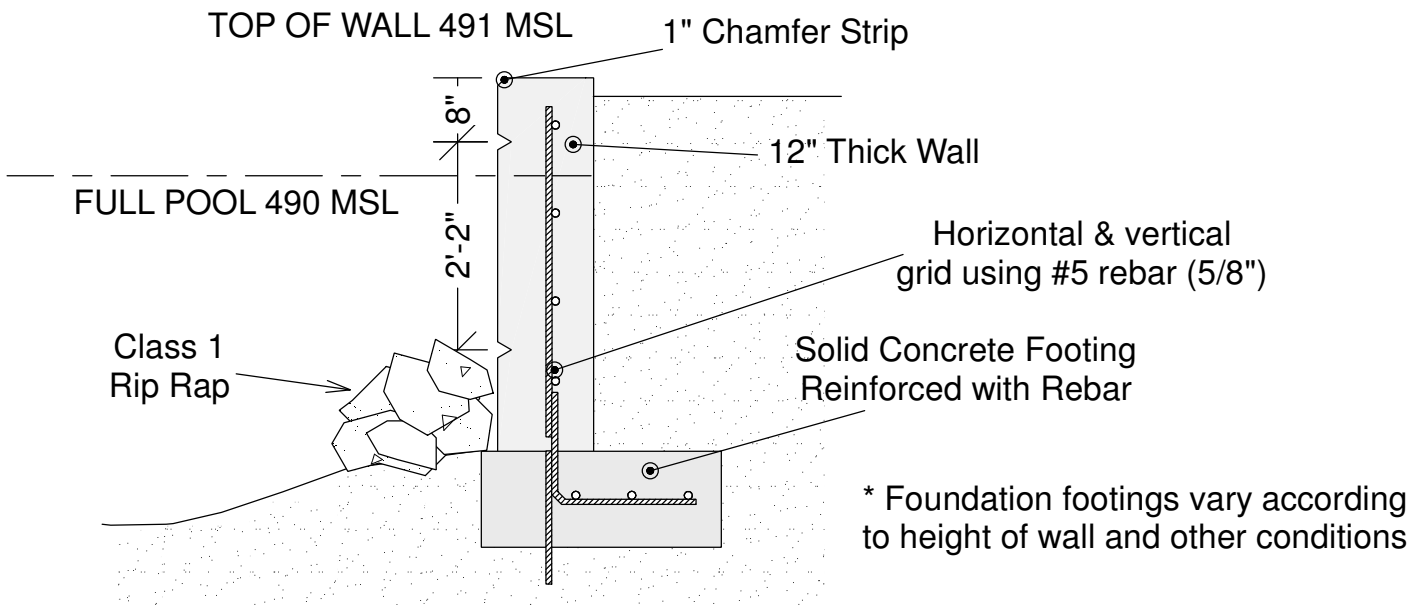


# PATTERNED CONCRETE SEAWALL

## FRONT ELEVATION VIEW



## SIDE ELEVATION VIEW



### DESIGN APPROVAL

Please sign: \_\_\_\_\_

Date: \_\_\_\_\_